



INNOVATION  
IN MOTION  
*Solutions for your  
mobility challenges*

## Industrial **PRODUCTS**





# Contents

We Are P&H.....3

## Institutional

### Series 10/12 MultiUse®

Swivel Plate Caster.....4  
 Rigid Plate Caster.....4

## Industrial

### Series 26/27

Medium Duty Industrial Line..... 6  
 P1 Products..... 7  
 P2 Products..... 8  
 P3 Products .....9

### Series 40/42

Medium/Heavy Duty Industrial Line.....10  
 P1 Products.....11

The P&H Industrial line of products are employed in such a wide range of applications and used by so many different types of equipment that they have become an unseen part of the everyday industrial landscape.

We have taken this workhorse product line and added our own unique touches to deliver to our customers an economical line of highly functional products with the distinct P&H value added touches you've come to expect from us.

What will you see here that you won't see on competing products? An extremely flexible line that allows you to choose a caster with the plate that you need from several industry standard sizes, and have it work with a variety of wheel sizes, and add one of four different brake types that include Total Lock, Directional Lock, Top Lock and a Side Brake. P&H has produced a totally integrated line that can be adapted to an incredibly wide range of environments and applications.

Talk to your P&H sales representative to see samples of these products and fully appreciate the P&H difference!



*P&H Casters product selections include include many items that are registered with the National Sanitation Foundation.*

*All of the P&H 26/27 series products are NSF registered.*



# We are P&H

Since 1969, P&H Casters has been an industry leader

Our focus has been in developing intelligent mobility solutions that will reliably meet the challenges that our customers are faced with in every area of their facilities and operations, including the backroom and storage areas, loading docks, food service operations, garden centers, parking lots, warehouse and automotive centers. P&H serves a broad range of industries with a versatile product line that can be adapted to many applications.



P&H is dedicated to continuing to be at the forefront of the mobility industry by developing innovative solutions; solutions that address our customer's challenges of today and anticipate their plans for the future.

P&H customers include those with high demand, OEM precision products or custom requirements. Our knowledgeable in house sales staff and engineering staff can help you get the caster or part best suited for your requirements.

1016 W Harris Rd  
Arlington TX 76001

info@phcasters.com

800 354 8622

www.phcasters.com



# SERIES 10/12 Light duty MultiUse®

## Swivel / Rigid Plate Caster

Light duty, or institutional plate casters are an excellent choice for office and light industrial use in food service, healthcare, office, retail and janitorial applications.

Our light duty plate casters feature high grade, non-marking wheels in quiet rolling, soft riding Thermoplastic Rubber.

These casters are available in several sizes to suit a variety of applications.



Z10P131NEAA

Z10P151NEAA

Wheel Diameter	Tread Width	Wheel Material	Bearing Type	Load Capacity (lbs)	Swivel Caster Part No.	Rigid Caster Part No.
3"	1"	TPR	Plain	90	Z10P131NEAA	Z12P131NEAA
4"	1"	TPR	Plain	115	Z10P141NEAA	Z12P141NEAA
5"	1"	TPR	Plain	125	Z10P151NEAA	Z12P151NEAA

Temperature Range: -40°F to 180° F

WHEEL DIAMETER  
OVERALL HEIGHT  
SWIVEL RADIUS  
RIVETED AXLE

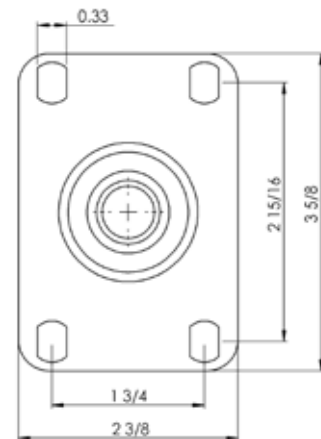
3"	4"	5"
3-3/4"	4-13/16"	5-13/16"
2-3/4"	3-5/16"	3-15/16"
1/4"	1/4"	1/4"



Z12P151NEAA

Z12P131NEAA

**P1**



# APPLICATIONS

drum dollies | ingredient bins | lab equipment | parts carts | display racks  
janitorial equipment | portable conveyors | book carts | bun racks  
dish truck | tool carts | filing cabinets | distribution carts | garment racks  
gravity conveyors | office equipment | retail carts





# SERIES 26/27

## MEDIUM DUTY INDUSTRIAL LINE



Registered Products

The P&H Series 26/27 product line includes both swivel and rigid plate casters in a choice of two wheel materials, three plate sizes and four brake options.

This series is designed with a higher mount height than the rest of our 20 Series products, which makes it an easy choice for replacement casters for a wide range of equipment.

With load capacities ranging from 180 up to 425 pounds, this line of products is suitable for many different types of applications and operating conditions.

## WHEEL MATERIALS

### Thermoplastic Rubber (TPR)

Thermoplastic Rubber (TPR) is a better alternative than standard rubber wheels. This material is easy on floors, non-marking, quiet and resistant to chemicals and oils.

It is a great choice for wet or wash down applications such as food service operations.

### Polyurethane (TPU)

Polyurethane delivers a smooth, soft ride in a non-marking wheel with many tread profile options. Polyurethane wheels offer a durable, high load capacity wheel option. This material resists long periods of standing and is also resistant to oil, grease and solvents.

## BEARINGS

The P&H 26/27 Series are all equipped with either our patented Quad X dual precision bearings.

Precision bearings can handle both thrust and radial loads, are easy rolling with quieter operations and do not require lubrication.

## BENEFITS

- Sealed upper raceways
- Heat treated yokes
- Premium 72 hour zinc plating
- QuadX dual precision bearings

## APPLICATIONS

- food service
- display racks
- material handling
- retail racks
- gravity conveyors
- hospitality
- institutional
- sports equipment

## BRAKES

The P&H Series 26/27 product line is available with several brake options:



**Side Brake:** Restricts the forward motion of the wheel from the side.



**Top Lock Brake:** Restricts the forward motion of the wheel from the top.



**Directional Lock Brake:** Restricts the swivel motion of the caster. 0° and 180° position aligned with longest side of plate.



**Total Lock Brake:** Restricts all motion of the wheel and the swivel of the caster.

## P1 Medium duty casters with wheel and brake options



Z26P154CTKIL



Z27P154CTKI

P&H offers our 2 3/8" x 3 5/8" mounting plates in both our swivel and rigid casters in the 26/27 Series. P&H manufactures plate sizes with bolt holes that are flexible enough to fit a wide range of equipment.

Different sized plates can be adapted to fit the same piece of equipment offering the benefit of increased stability.

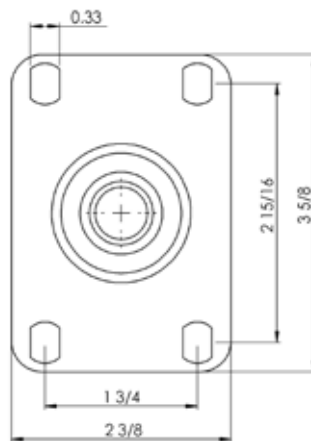
WHEEL DIAMETER	3"	3 1/2"	4"	5"	6"	8"
OVERALL HEIGHT	4 1/4"	4 11/16"	5 1/8"	6 3/16"	7 1/4"	9 1/4"
SWIVEL RADIUS	3"	3 1/4"	3 1/2"	4"	4 1/2"	6 1/4"
AXLE SIZE	3/8"	3/8"	3/8"	3/8"	3/8"	3/8"
LOAD CAPACITY (TPR)	180	225	250	300	325	350
LOAD CAPACITY (TPU)	225	250	300	325	350	425
TREAD WIDTH	1 1/4"	1 1/4"	1 1/4"	1 1/4"	1 1/4"	1 1/4"

Wheel Diameter	Wheel Material	Swivel	Top Brake	Total Lock	Directional Lock	Side Brake	Rigid
3"	TPR	Z26P134NEKI	Z26P134NEKIT	Z26P134NEKIL	Z26P134NEKIR	Z26P134NEKIB	Z27P134NEKI
	POLYURETHANE	Z26P134CTKI	Z26P134CTKIT	Z26P134CTKIL	Z26P134CTKIR	Z26P134CTKIB	Z27P134CTKI
3 1/2"	TPR	Z26P174NEKI	Z26P174NEKIT	Z26P174NEKIL	Z26P174NEKIR	Z26P174NEKIB	Z27P174NEKI
	POLYURETHANE	Z26P174CTKI	Z26P174CTKIT	Z26P174CTKIL	Z26P174CTKIR	Z26P174CTKIB	Z27P174CTKI
4"	TPR	Z26P144NEKI	Z26P144NEKIT	Z26P144NEKIL	Z26P144NEKIR	Z26P144NEKIB	Z27P144NEKI
	POLYURETHANE	Z26P144CTKI	Z26P144CTKIT	Z26P144CTKIL	Z26P144CTKIR	Z26P144CTKIB	Z27P144CTKI
5"	TPR	Z26P154NEKI	Z26P154NEKIT	Z26P154NEKIL	Z26P154NEKIR	Z26P154NEKIB	Z27P154NEKI
	POLYURETHANE	Z26P154CTKI	Z26P154CTKIT	Z26P154CTKIL	Z26P154CTKIR	Z26P154CTKIB	Z27P154CTKI
6"	TPR	Z26P164NEKH	Z26P164NEKHT	Z26P164NEKHL	Z26P164NEKHR		Z27P164NEKH
	POLYURETHANE	Z26P164CTKH	Z26P164CTKHT	Z26P164CTKHL	Z26P164CTKHR		Z27P164CTKH
8"	TPR	Z26P184NEKH	Z26P184NEKHT	Z26P184NEKHL	Z26P184NEKHR		Z27P184NEKH
	POLYURETHANE	Z26P184CTKH	Z26P184CTKHT	Z26P184CTKHL	Z26P184CTKHR		Z27P184CTKH

# P1

## Plate Size

### 2 3/8" x 3 5/8"



1016 W Harris Rd  
Arlington TX 76001

info@phcasters.com

800 354 8622

www.phcasters.com

## P2 Medium duty caster with wheel and brake options



Z26P254NEKIL



Z27P254NEKI

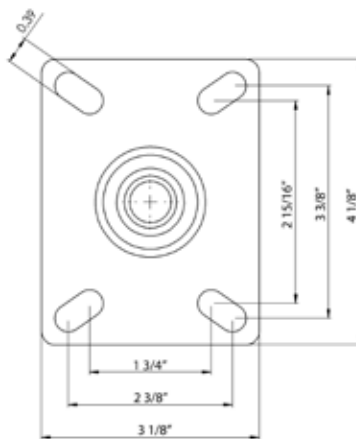
P&H offers our 3 1/8" x 4 1/8" mounting plates in both our swivel and rigid casters in the 26/27 Series. P&H manufactures plate sizes with bolt holes that are flexible enough to fit a wide range of equipment.

Different sized plates can be adapted to fit the same piece of equipment offering the benefit of increased stability.

	3"	3 1/2"	4"	5"	6"	8"
WHEEL DIAMETER	3"	3 1/2"	4"	5"	6"	8"
OVERALL HEIGHT	4 1/4"	4 11/16"	5 1/8"	6 3/16"	7 1/4"	9 1/4"
SWIVEL RADIUS	3"	3 1/4"	3 1/2"	4"	4 1/2"	6 1/4"
AXLE SIZE	3/8"	3/8"	3/8"	3/8"	3/8"	3/8"
LOAD CAPACITY (TPR)	180	225	250	300	325	350
LOAD CAPACITY (TPU)	225	250	300	325	350	425
TREAD WIDTH	1 1/4"	1 1/4"	1 1/4"	1 1/4"	1 1/4"	1 1/4"

Wheel Diameter	Wheel Material	Swivel	Top Brake	Total Lock	Directional Lock	Side Brake	Rigid
3"	TPR	Z26P234NEKI	Z26P234NEKIT	Z26P234NEKIL	Z26P234NEKIR	Z26P234NEKIB	Z27P234NEKI
	POLYURETHANE	Z26P234CTKI	Z26P234CTKIT	Z26P234CTKIL	Z26P234CTKIR	Z26P234CTKIB	Z27P234CTKI
3 1/2"	TPR	Z26P274NEKI	Z26P274NEKIT	Z26P274NEKIL	Z26P274NEKIR	Z26P274NEKIB	Z27P274NEKI
	POLYURETHANE	Z26P274CTKI	Z26P274CTKIT	Z26P274CTKIL	Z26P274CTKIR	Z26P274CTKIB	Z27P274CTKI
4"	TPR	Z26P244NEKI	Z26P244NEKIT	Z26P244NEKIL	Z26P244NEKIR	Z26P244NEKIB	Z27P244NEKI
	POLYURETHANE	Z26P244CTKI	Z26P244CTKIT	Z26P244CTKIL	Z26P244CTKIR	Z26P244CTKIB	Z27P244CTKI
5"	TPR	Z26P254NEKI	Z26P254NEKIT	Z26P254NEKIL	Z26P254NEKIR	Z26P254NEKIB	Z27P254NEKI
	POLYURETHANE	Z26P254CTKI	Z26P254CTKIT	Z26P254CTKIL	Z26P254CTKIR	Z26P254CTKIB	Z27P254CTKI
6"	TPR	Z26P264NEKH	Z26P264NEKHT	Z26P264NEKHL	Z26P264NEKHR		Z27P264NEKH
	POLYURETHANE	Z26P264CTKH	Z26P264CTKHT	Z26P264CTKHL	Z26P264CTKHR		Z27P264CTKH
8"	TPR	Z26P284NEKH	Z26P284NEKHT	Z26P284NEKHL	Z26P284NEKHR		Z27P284NEKH
	POLYURETHANE	Z26P284CTKH	Z26P284CTKHT	Z26P284CTKHL	Z26P284CTKHR		Z27P284CTKH

**P2**  
Plate Size  
3 1/8" x 4 1/8"





## P3 Medium duty caster with wheel and brake options



Z26P354CTKIL



Z27P354CTKI

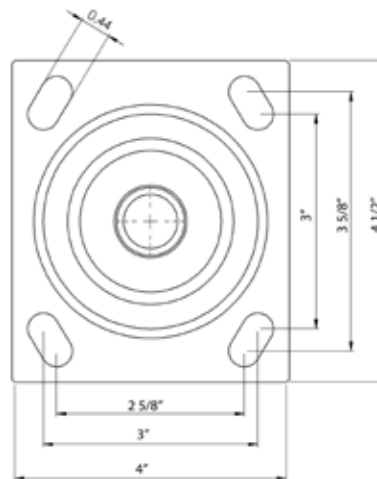
P&H offers our 4" x 4 1/2" mounting plates in both our swivel and rigid casters in the 26/27 Series. P&H manufactures plate sizes with bolt holes that are flexible enough to fit a wide range of equipment.

Different sized plates can be adapted to fit the same piece of equipment offering the benefit of increased stability and flexibility.

	3"	3 1/2"	4"	5"	6"	8"
WHEEL DIAMETER	3"	3 1/2"	4"	5"	6"	8"
OVERALL HEIGHT	4 1/4"	4 11/16"	5 1/8"	6 3/16"	7 1/4"	9 1/4"
SWIVEL RADIUS	3"	3 1/4"	3 1/2"	4"	4 1/2"	6 1/4"
AXLE SIZE	3/8"	3/8"	3/8"	3/8"	3/8"	3/8"
LOAD CAPACITY (TPR)	180	225	250	300	325	350
LOAD CAPACITY (TPU)	225	250	300	325	350	425
TREAD WIDTH	1 1/4"	1 1/4"	1 1/4"	1 1/4"	1 1/4"	1 1/4"

Wheel Diameter	Wheel Material	Swivel	Top Brake	Total Lock	Directional Lock	Side Brake	Rigid
3"	TPR	Z26P334NEKI	Z26P334NEKIT	Z26P334NEKIL	Z26P334NEKIR	Z26P334NEKIB	Z27P334NEKI
	POLYURETHANE	Z26P334CTKI	Z26P334CTKIT	Z26P334CTKIL	Z26P334CTKIR	Z26P334CTKIB	Z27P334CTKI
3 1/2"	TPR	Z26P374NEKI	Z26P374NEKIT	Z26P374NEKIL	Z26P374NEKIR	Z26P374NEKIB	Z27P374NEKI
	POLYURETHANE	Z26P374CTKI	Z26P374CTKIT	Z26P374CTKIL	Z26P374CTKIR	Z26P374CTKIB	Z27P374CTKI
4"	TPR	Z26P344NEKI	Z26P344NEKIT	Z26P344NEKIL	Z26P344NEKIR	Z26P344NEKIB	Z27P344NEKI
	POLYURETHANE	Z26P344CTKI	Z26P344CTKIT	Z26P344CTKIL	Z26P344CTKIR	Z26P344CTKIB	Z27P344CTKI
5"	TPR	Z26P354NEKI	Z26P354NEKIT	Z26P354NEKIL	Z26P354NEKIR	Z26P354NEKIB	Z27P354NEKI
	POLYURETHANE	Z26P354CTKI	Z26P354CTKIT	Z26P354CTKIL	Z26P354CTKIR	Z26P354CTKIB	Z27P354CTKI
6"	TPR	Z26P364NEKH	Z26P364NEKHT	Z26P364NEKHL	Z26P364NEKHR		Z27P364NEKH
	POLYURETHANE	Z26P364CTKH	Z26P364CTKHT	Z26P364CTKHL	Z26P364CTKHR		Z27P364CTKH
8"	TPR	Z26P384NEKH	Z26P384NEKHT	Z26P384NEKHL	Z26P384NEKHR		Z27P384NEKH
	POLYURETHANE	Z26P384CTKH	Z26P384CTKHT	Z26P384CTKHL	Z26P384CTKHR		Z27P384CTKH

**P3**  
Plate Size  
4" x 4 1/2"



1016 W Harris Rd  
Arlington TX 76001

info@phcasters.com

800 354 8622

www.phcasters.com

## SERIES 40 /42

### MEDIUM/HEAVY DUTY INDUSTRIAL LINE



Registered Products

The P&H Series 40 product line includes both swivel and rigid plate casters designed to make light work of heavy loads.

This series includes a selection of sizes in our 2" wide tread wheels, and side brake options to best suit the special challenges of your operating environment.

With load capacities ranging from 250 up to 1200 pounds, this line of products is suitable for many different types of applications and operating conditions.

## WHEEL MATERIALS

### Thermoplastic Rubber (TPR)

Thermoplastic Rubber (TPR) is a better alternative than standard rubber wheels. This material is easy on floors, non-marking, quiet and resistant to chemicals and oils.

It is a great choice for wet or wash down applications such as food service operations.

### Polyurethane (TPU)

Polyurethane delivers a smooth, soft ride in a non-marking wheel with many tread profile options. Polyurethane wheels offer a durable, high load capacity wheel option. This material resists heavy abuse, accepts high load capacities cart dragging and long periods of standing and is also

## APPLICATIONS

- food service
- display racks
- material handling
- retail racks
- gravity conveyors
- hospitality
- institutional
- sports equipment
- distribution
- warehouse



Z40P352CLPLB

## BEARINGS

The P&H 40/42 Series are all equipped with the P&H patented Quad X dual precision bearings. Precision bearings can handle both thrust and radial loads, are easy rolling with quieter operations and do not require lubrication.

## BRAKES

The P&H Series 40/42 product line are available with a side brake for each wheel size:

**Side Brake:** Restricts the forward motion of the wheel by activating the brake pedal on the side of the caster.

Side brakes are available for the 4", 5" 6" and 8" Series 40 casters and for the 6" Series 42 casters.

## P3 Medium/Heavy duty caster with wheel and brake options



Z40P362NGPL



Z42P362CLPL



P&H offers our 4" X 4 1/2" mounting plate on 40 Series casters in both our swivel and rigid models with a choice of Polyurethane or Thermoplastic Rubber (TPR) wheels.

Both of these wheels feature our patented 1/2" Quad X Dual Precision bearing.

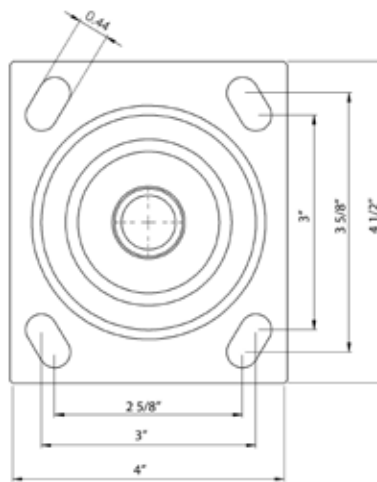
WHEEL DIAMETER  
OVERALL HEIGHT  
SWIVEL RADIUS  
AXLE SIZE  
TREAD WIDTH

	4"	5"	6"	8"
WHEEL DIAMETER	4"	5"	6"	8"
OVERALL HEIGHT	5 1/2"	6 1/2"	7 1/2"	9 1/2"
SWIVEL RADIUS	3 1/4"	3 7/8"	4 5/8"	6 1/8"
AXLE SIZE	1/2"	1/2"	1/2"	1/2"
TREAD WIDTH	2"	2"	2"	2"

Wheel Diameter	Wheel Material	Swivel	Side Brake	Rigid	Load Capacity
4"	THERMOPLASTIC RUBBER	Z40P342NGPL	Z40P342NGPLB	Z42P342NGPL	250
	POLYURETHANE	Z40P342CLPL	Z40P342CLPLB	Z42P342CLPL	600
5"	THERMOPLASTIC RUBBER	Z40P352NGPL	Z40P352NGPLB	Z42P352NGPL	350
	POLYURETHANE	Z40P352CLPL	Z40P352CLPLB	Z42P352CLPL	800
6"	THERMOPLASTIC RUBBER	Z40P362NGPL	Z40P362NGPLB	Z42P362NGPL*	450
	POLYURETHANE	Z40P362CLPL	Z40P362CLPLB	Z42P362CLPL*	1000
8"	THERMOPLASTIC RUBBER	Z40P382NGPL	Z40P382NGPLB	Z42P382NGPL	550
	POLYURETHANE	Z40P382CLPL	Z40P382CLPLB	Z42P382CLPL	1200

\*Side Brake option available.





**P3**  
**Plate Size**  
**4" x 4 1/2"**







P&H CASTERS COMPANY, INC.  
1016 W. Harris Rd.  
Arlington, TX, 76001  
Phone: +1 800 354 8622  
Email: sales@phcasters.com  
Web: www.phcasters.com

 @phcasters.com  
 www.facebook.com/phcasters  
 www.google.com/phcasters  
 www.youtube.com/phcasters  
 www.pinterest.com/phcasters

