

Hand Pallet Truck

1KG=2.205LB 1INCH=25.40MM



Model: DB

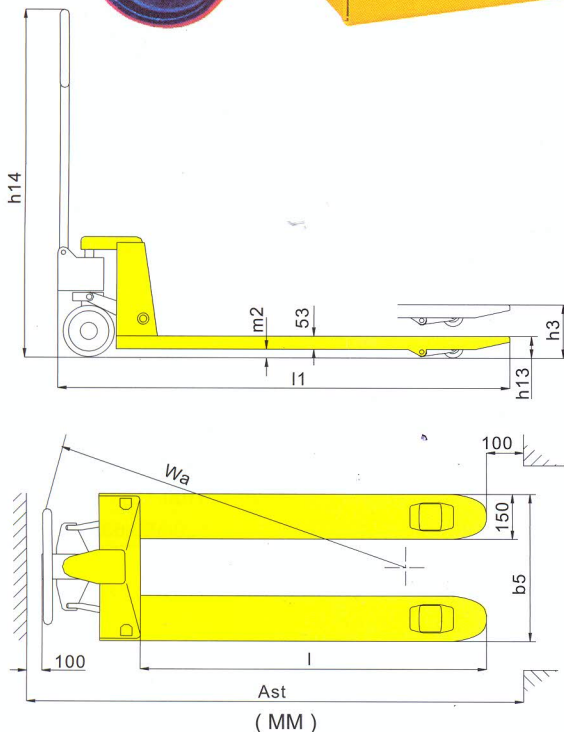
Model	DB	
Capacity	Q(kg)	2000
Lowered fork height	h_{13} (mm)	75
Steering wheel	mm	ϕ 160
Fork wheel single	mm	ϕ 70x80
Fork wheel tandem	mm	ϕ 70x60
Max. lift height	h_3 (mm)	190
Total height	h_{14} (mm)	1160
Overall length	l_1 (mm)	1520/1590
Fork length	l (mm)	1150/1220
Width overall forks	b_5 (mm)	520/550/685
Ground clearance, centre of wheelbase	m_2 (mm)	22
Aisle width for pallets 1000x1200 crossways	A_{st} (mm)	1720/1790
Aisle width for pallets 800x1200 lengthways	A_{st} (mm)	1770/1790
Turning radius	W_a (mm)	1265/1335
Service weight	kg	55-60

Remark: Special size for width and length can be made according to customer's requirement.

Economy



Conforms to EN ISO3691-5:2009
Based on Directive 2006/42/EC



Economic design pallet truck

- Standard epoxy powder coat finish which is resistant to chips and normal corrosion.
- Exceptionally strong but light weight steel construction, service weight is only 55kgs.
- With welded joints and reinforced fork tips for most durability in the toughest applications.
- 3 position hand control - Raise, Lower, Neutral.
- Excellent turning angle of 190 degrees facilities.
- Number of pump strokes 12 times, lift height per stroke 11mm.
- Reliable oil leak-proof hydraulic system.
- Option: 1) Nylon wheel, polyurethane wheel, rubber wheel, single fork roller or tandem fork rollers.
2) Fork length: 800mm, 900mm, 1000mm, 1100mm.